

FLASHWICK™ FIRESTARTER

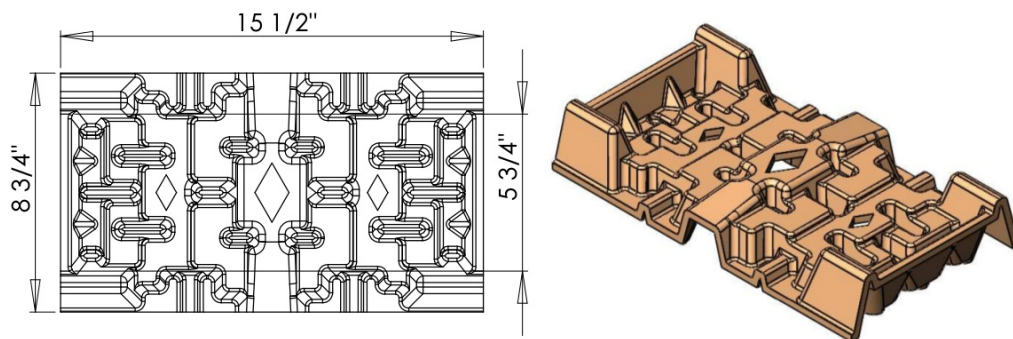
PRODUCT SPECIFICATIONS:

-The Flashwick Firestarter product is comprised of a patent pending blend of organic, inorganic and/or treated pulp/fiber, which is manufactured using environmentally friendly, recyclable materials.

-The Flashwick Firestarter product is manufactured using a "Five Point Product Standard System" including:

1.) Form -

The finished product must meet dimensions provided on product specification drawing (*located below*).



2.) Function -

The finished product must function as intended:

- Product must be ignited by a flame in less than 30 seconds; flame applied to the "Flashwick"
- Product must burn evenly without extinguishing itself and without re-igniting flame
- Product must burn completely without added flammable agents (Logs, Lighter Fluid, etc.)
- Product must be water resistant

3.) Coloration -

The product must appear light khaki in color similar to the product specification drawing (*located above*).

4.) Weight -

The product must be manufactured within a 10% (> or <) range of the specified weights below:

- Dry Weight - 6 ounces (or) 170 grams

5.) Label -

The product must be sent from manufacturer with consumer labeling displaying:

- "How to Use" product instructions must be included to insure product functions as intended.
- "Flashwick Firestarter" trademarked logo must be included on consumer labeling/packaging.

-The Flashwick Firestarter product will be palletized (Qty: 600/pallet) and shipped FOB Milwaukee, WI.

